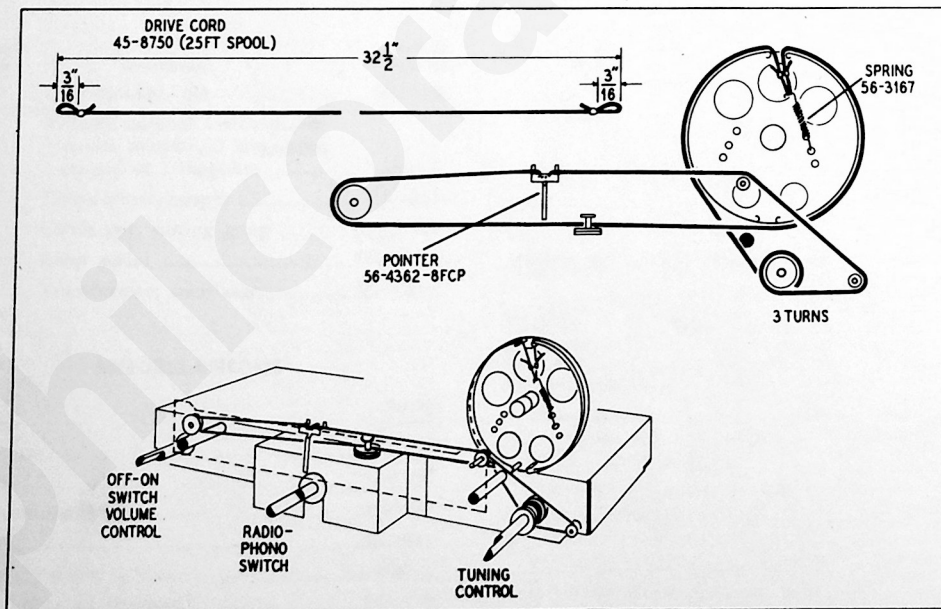


PHILCO RADIO-PHONOGRAPH MODEL 50-1424

SPECIFICATIONS

CABINET	Wood table model, mahogany finish
CIRCUIT	5-tube superheterodyne
FREQUENCY RANGE	540—1620 kc.
AUDIO OUTPUT	1.2 watts
OPERATING VOLTAGE	105—120 volts, 60 cycles, a.c.
POWER CONSUMPTION	
Radio	30 watts
Phonograph	45 watts
AERIAL	Built-in high-impedance loop; connector for external aerial
INTERMEDIATE FREQUENCY	455 kc.
PHILCO TUBES (5)	7A8 converter, 12BA6 1-f ampl., 14B6 det.-a.v.c.-1st audio ampl., 50L6GT output, 35Z5GT rectifier
PHONOGRAPH	Philco Model M-20 All-Speed Automatic Record Changer. (For service information, refer to the Record Changer section of this Yearbook.)



TPO-206

Figure 1. Drive-Cord Installation Details

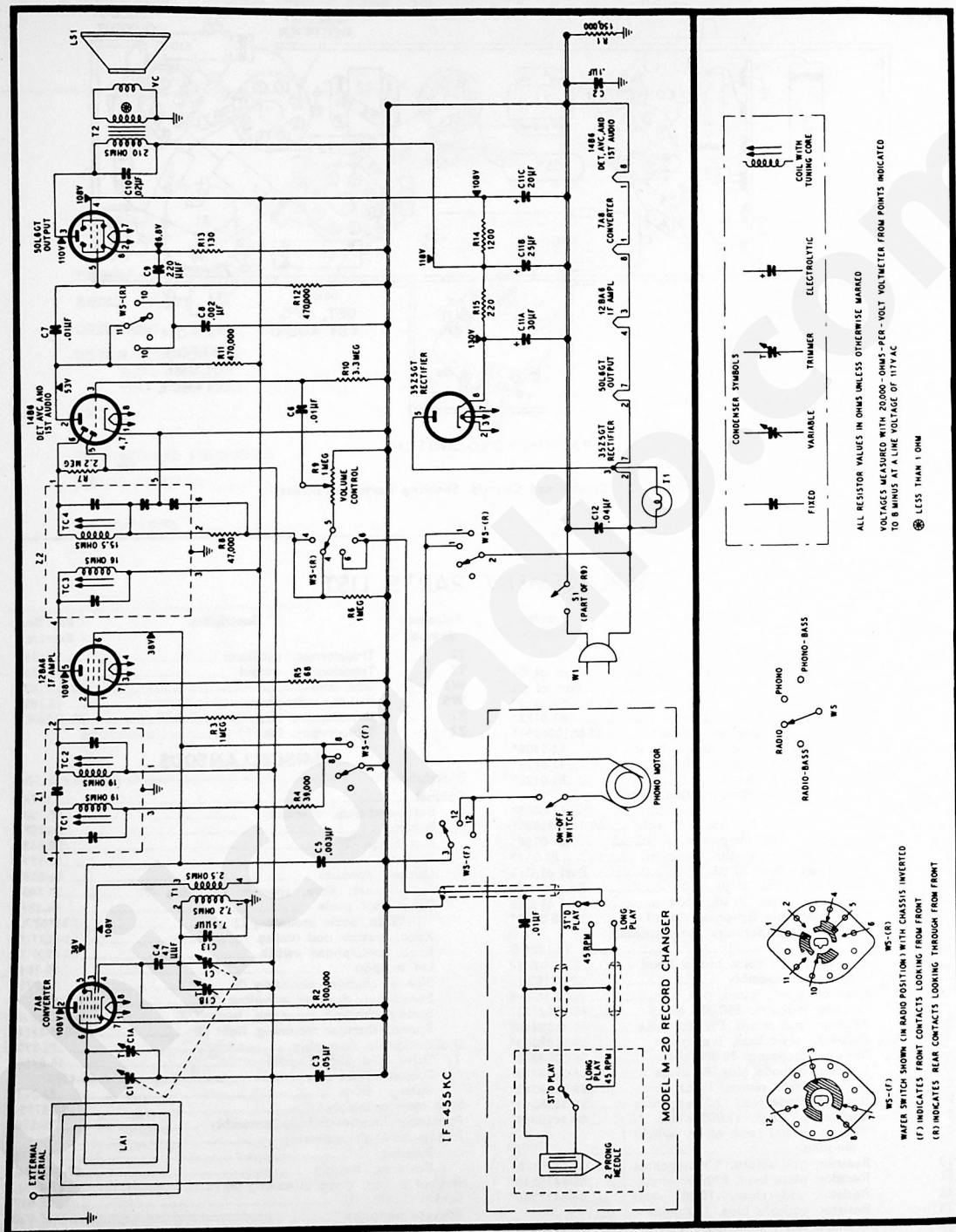


Figure 3. Philco Radio-Phonograph Model 50-1424, Schematic Diagram

TPO-208

ALIGNMENT PROCEDURE

DIAL POINTER—Turn tuning condenser to full-mesh position. Set dial pointer to the index mark, located to the left of "55".
CONTROLS—Turn on power, and set volume control to maximum.
OUTPUT METER—Connect across voice-coil terminals.

SIGNAL GENERATOR—Connect as indicated in chart.
OUTPUT LEVEL—During alignment, adjust signal-generator output to hold output-meter indication below 1.25 volts.

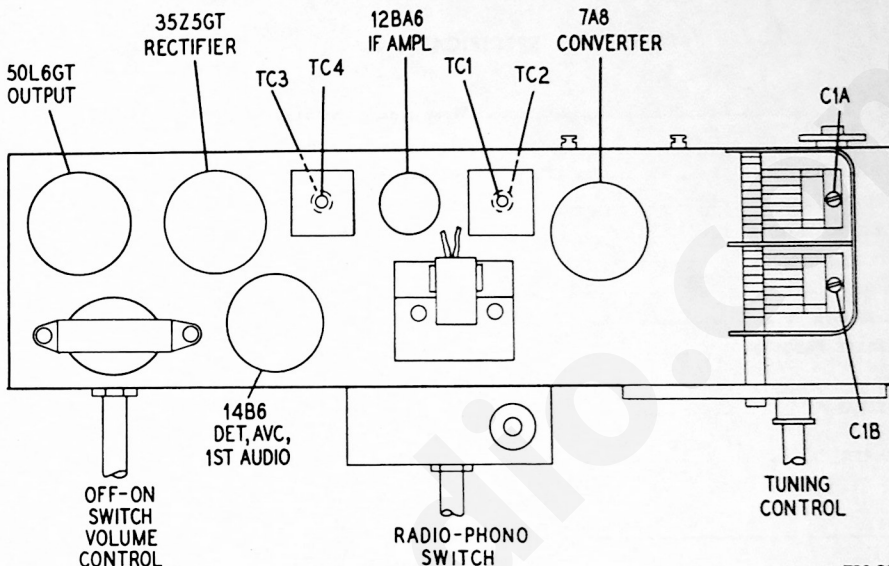


Figure 4. Top View, Showing Trimmer Locations

TPC-209

STEP	SIGNAL GENERATOR		RADIO		ADJUST
	CONNECTION TO RADIO	DIAL SETTING	DIAL SETTING	SPECIAL INSTRUCTIONS	
1	Ground lead to B-; output lead through .1- μ f. condenser to pin 6 of 7A8 tube.	455 kc.	540 kc. (gang fully meshed).	Adjust tuning cores, in order given, for maximum output.	TC4—2nd i-f sec. TC3—2nd i-f pri. TC2—1st i-f sec. TC1—1st i-f pri.
2	Radiating loop (see note below).	1600 kc.	1600 kc.	Adjust for maximum.	C1B—osc.
3	Same as step 2.	1500 kc.	1500 kc.	Adjust for maximum.	C1A—aerial

RADIATING LOOP: Make up a 6-to-8 turn, 6-inch-diameter loop from insulated wire; connect to signal-generator output leads, and place near radio loop aerial.

CORRECTIONS TO PARTS LIST

Reference Symbol	Description	Service Part No.
C1	Condenser, tuning, 2-section	31-2751-6
R9	Volume control (with off-on switch), 1 megohm	33-5566-22
R13	Resistor, cathode bias, 130 ohms	66-1133340
Z2	Transformer, 2nd i-f	32-4240-2A
	Pulley-and-shaft assembly	76-3617-7

ADDITIONS TO PARTS LIST

Stud, tapped, hinge mounting56-6296

PRODUCTION CHANGE

Run 2

To reduce hum at minimum volume, a wire was added, between pin 7 of the 14B6 socket and the low side of the volume control, R9.